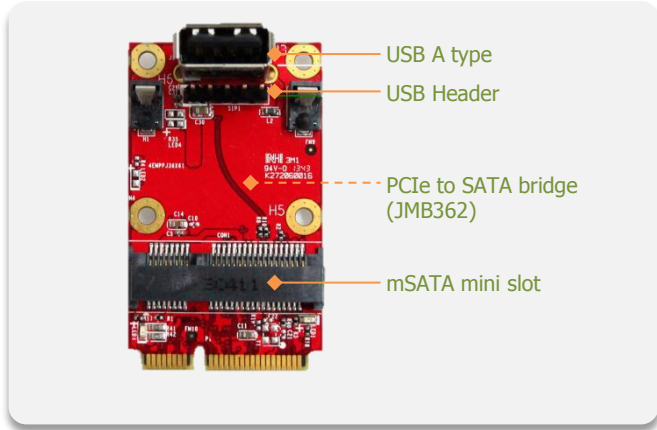


# EMPS-2201

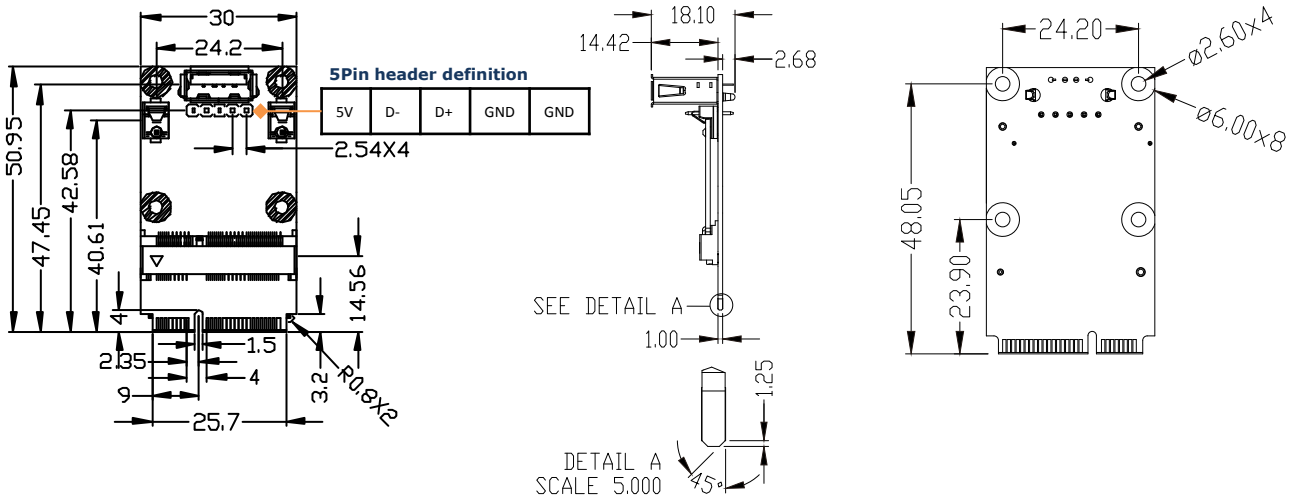
## mPCIe to mSATA mini & USB Module



### Features

- Supports mPCIe to mSATA mini slot
- USB A type connector and 2.54mm 5pin USB header connector with +5V
- Power LED, Access LED
- PCIe to SATA bridge (JMB362)
- 30μ " golden finger, 3 years warranty
- Industrial design, manufactured in innodisk Taiwan

### Mechanical Drawing



### Specifications

**Headquarters (Taiwan)**  
 5F., No. 237, Sec. 1, Datong Rd.,  
 Xizhi Dist., New Taipei City 221,  
 Taiwan  
 Tel: +886-2-77033000  
 Email: sales@innodisk.com

**Branch Offices:**  
**USA**  
[usasales@innodisk.com](mailto:usasales@innodisk.com)  
 +1-510-770-9421

**Europe**  
[eusales@innodisk.com](mailto:eusales@innodisk.com)  
 +31-040-282-1818

**Japan**  
[jpsales@innodisk.com](mailto:jpsales@innodisk.com)  
 +81-45-594-7581

**China**  
[sales\\_cn@innodisk.com](mailto:sales_cn@innodisk.com)  
 +86-755-21673689

[www.innodisk.com](http://www.innodisk.com)

© 2015 Innodisk Corporation.  
 All right reserved. Specifications  
 are subject to change without  
 prior notice.

July 27, 2015

Form-Factor	mini PCIe
Input I/F	PCI Express 1.0, USB 2.0
Output I/F	SATA II, USB 2.0
Output Connector	Mini PCIe x 1, USB A type x 1, USB 5P header x 1(Alternative)
Bridge	JMB362
TDP	2W(3.3V x 600mA)
Dimension (WxLxH)	30 x 50.9 x 18.1 mm, Weight: 8g
Temperature	Operation: STD: 0°C ~ +70°C Storage: -55°C ~ +95°C
Environment	Vibration: 5G @7~2000Hz, Shock: 50G @ 0.5ms
Notes	OS Support: Windows XP, Win7, Vista, Linux Please download driver from Innodisk website.

### Order information

**EMPS-2201-C1**  
 mPCIe to mSATA mini & USB Module